

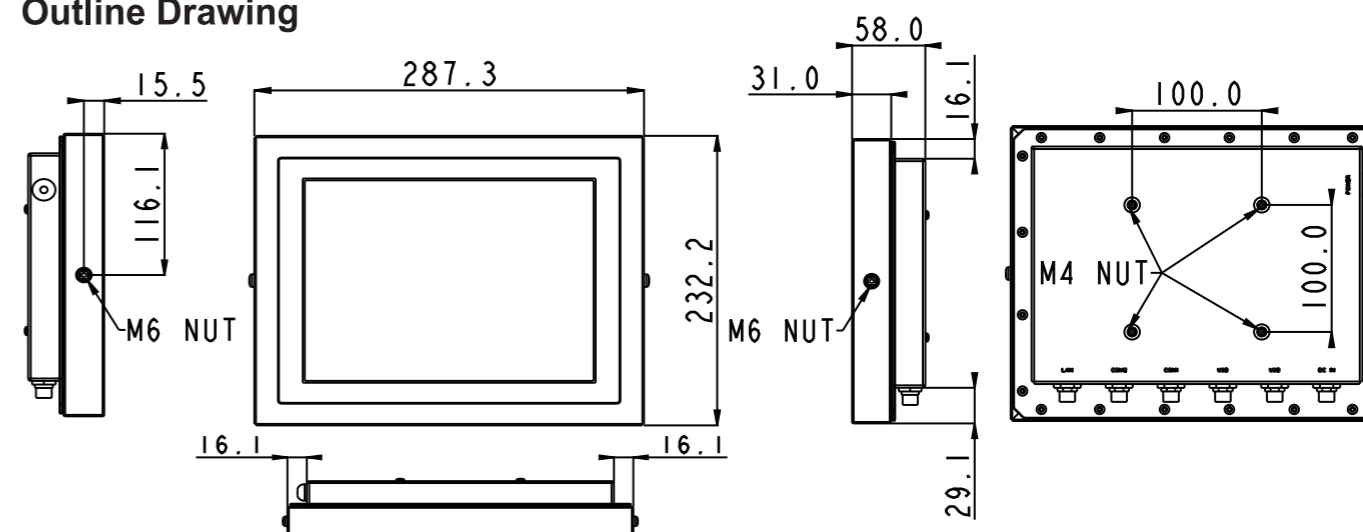


Key Features

- 10" Intel Baytrail Fanless Stainless Panel PC
- IP66 full sealed with anti-corrosion enclosure
- 10" LCD with full flat resistive touch
- IP67 M12 metal connectors
- Special inspection of 100% waterproof guarantee
- CE, FCC, VCCI Class B certified
- Operation Temperature -20~50°C
- Optional Mini-PCIe WLAN with external antenna
- Optional PCAP touch with IP69K true tested
- Optional IP67 solution
- Reliably works without throttling



Outline Drawing



Main System

CPU	Intel® Atom E3845 processor 10W
Graphic	Intel® Graphics HD
Memory	Single Channel DDR3L 1600 MHz SDRAM MAX 8GB

I/O & Power & Control Keys

USB	1 x M12 8pin for USB 1/2 1 x M12 8pin for USB 3/4
COM	1 x M12 8pin for COM 1/RS-232 1 x M12 8pin for COM 2/RS-232/422/485 (Default RS-232)
LAN	1 x M12 8pin for LAN 1
Power input	DC 9V~36V
Power adapter	AC 100~240V / 47 ~ 63 Hz / DC output 12V, IP67, 60W/12V/5A
Power consumption	29.7 (MAX. Loading without adapter)
Control keys	Rear bottom: Power on/off

LCD Panel

Size	10" 4:3
Resolution	800 x 600 (XGA)
Color numbers	262K, LVDS 6 bits
Viewing angle	80 (H) / 60 (V)
Contrast	500:1
Brightness	230 nits

Touch Panel

Type	Full Flat Resistive touch, 5-wire
Light transmission	80±5%
Hardness	4H
Life time	35 million activations

Storage & Expansion

SSD	WT 128GB 2.5" SATA SSD 3MG2-P x 1
Expansion slot	Mini PCIe x 2 1(Half size)+1(Full size) shared with mSATA

Mechanical & Environmental

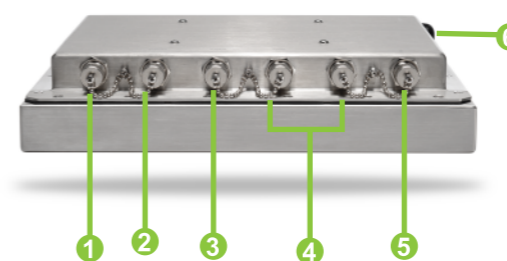
Housing	Stainless steel (SUS304), chassis type
IP rating	IP66 whole set (include the I/O connectors & control keys)
Cooling	Fanless
Dimension	288x236x58 mm
Weight (net)	6.5 Kg (net)
Temperature	12V DC Input -20~50°C Storage Temperature -20~60°C
Humidity	Operating & storage – 10%~90%, non-condensing
Regulatory	FCC, CE (EMC), VCCI Class B

Options

Wireless or Wireless + BT kit (2 Dipole ant)
M12 to 1x COM cable (cable length is 2 meters)
M12 to 1x USB cable (1 USB Port) (cable length is 2 meters)
M12 to 2x USB cable (2 USB Port) (cable length is 2 meters)
M12 to 1x LAN cable (cable length is 2 meters)
Wall mount / table mount bracket
Wireless or Wireless and BT kit (easy clean and Robust Antenna)
Full flat PCT touch screen IP69K
IP67
2 External LAN (USB x2, LAN x2, COM x1)
SUS316 enclosure

Customization

1000 nits high brightness LCD
Sunlight readable optical bonding
LCD Auto dimming
LCD Super dimming (Low brightness)
USB 3.0
Barcode reader
COM+power 5V or 12V
XGA LCD panel
TPM



- 1 Giga LAN
- 2 USB 1/2
- 3 USB 3/4
- 4 COM x 2
- 5 DC-in
- 6 Power on/off



Ordering Information

WTP-8B66-10W (E3845)	10" FANLESS	E3845 / Wide temp. 2G RAM / Wide temp.128G SSD / Full flat R-touch
----------------------	-------------	--