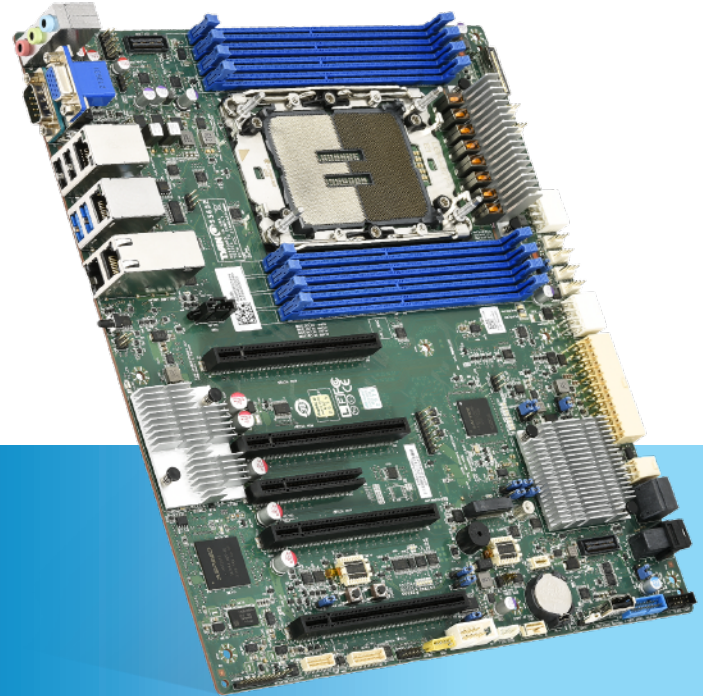
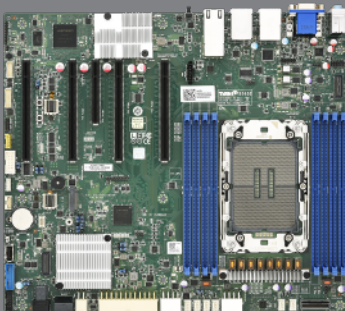


4RD GEN. INTEL XEON SCALABLE PROCESSORS



Tempest HX S5652

S5652AGMNRE / S5652AGM3NRE-2T



Intel® C741

Compact 1S Server Board

- (1) LGA4677
- (8) DIMM slots w/ RDDR5 4800 memory support
- (1) PCIe Gen.5 x8 + (4) PCIe Gen.5 x16 slots
- (1) GbE + (1) GbE dedicated for IPMI or (2) 10GbE + (1) GbE dedicated for IPMI
- SSI CEB (12" x 10.5")

Summary Table

SKU	Storage	Networking
S5652AGMNRE	(6) SATA + (1) M.2	(1) GbE + (1) GbE dedicated for IPMI
S5652AGM3NRE-2T	(6) SATA + (1) M.2	(2) 10GbE + (1) GbE dedicated for IPMI



Tempest HX S5652

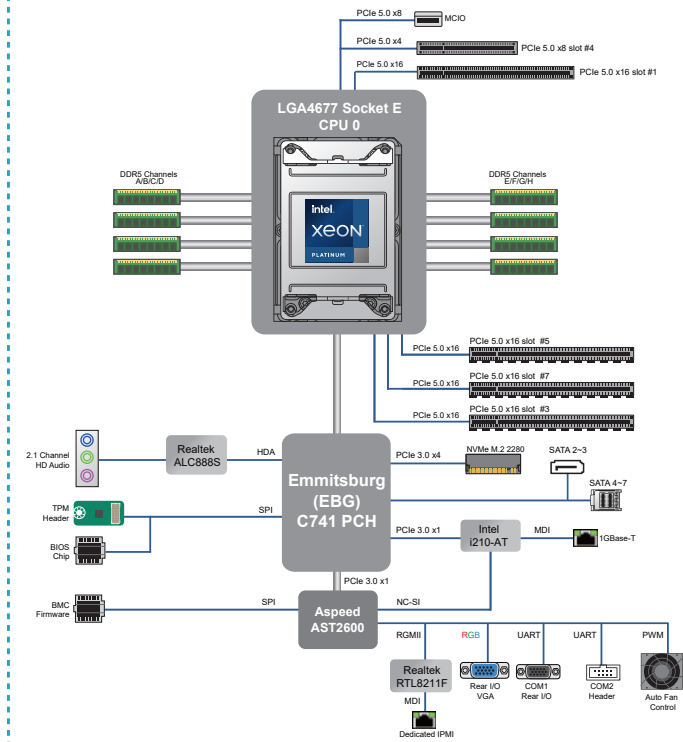
S5652AGMNRE

TYAN

Specifications

Processor	Q'ty / Socket Type	(1) LGA4677	
	Supported CPU Series	4th Gen. Intel Xeon Scalable Processors	
	Thermal Design Power Wattage	Max up to 350W (TDP)	
Chipset	PCH	Intel C741	
Memory	Supported DIMM Q'ty	(8) DIMM slots	
	DIMM Type / Speed	RDDR5 4800 w/ ECC (1.1V) when 2DPC/1DPC / 3DS RDIMM DDR5 4800 w/ ECC (1.1V) when 2DPC/1DPC	
	Capacity	Up to 1,024GB RDIMM/ 2,048GB LRDIMM/ 2,048GB RDIMM 3DS/LRDIMM 3DS *Follow latest Intel DDR5 Memory POR	
	Memory channel	8 Channels per CPU	
	Memory voltage	1.1V	
Expansion Slots	PCI-E	(1) PCIe Gen.5 x8 slot / (4) PCIe Gen.5 x16 slots	
LAN	Port Q'ty	(2) 10GbE ports + (1) GbE dedicated for IPMI	
	Controller	Intel X550	
Storage	SATA	PHY	Realtek RTL8211F
		Connector	(6) SATA
		Controller	Intel C741
	NVMe	Speed	6Gb/s
		RAID	RAID 0/1/10/5 (Intel RSTe)
		Connector (M.2)	(1) 2280 (by PCIe.3 interface)
	Connector (U.2)	(1) MCIO x8	
Graphic Display Port	Connector type	D-Sub 15-pin	
	Resolution	Up to 1920x1200 @60Hz	
Input /Output	Chipset	Aspeed AST2600	
	USB	(1) USB2.0 port (Type-A) / (2) USB2.0 ports (@ rear) / (2) USB3.2 Gen.1 ports	
	COM	(1) DB-9 COM Connector (@ rear)	
	VGA	(1) D-Sub 15-pin VGA port (@ rear)	
	RJ-45	(2) 10GbE ports + (1) GbE dedicated for IPMI	
	Front Panel	(1) 2x12-pin SSI front panel header	
	Audio	(1) 2x5-pin header / (1) 3 holes Audio Jack connector	
	SATA	(6) SATA-III connectors	
	Power	(1) ATX 24-pin + (2) 8-pin + (1) 4-pin power connectors	
	Others	(1) UID button	
TPM (Optional)	TPM Support	Please refer to our TPM supported list.	
	Interface	SPI	
System Monitoring	Chipset	Aspeed AST2600	
	Fan	Total (6) 4-pin headers	
	Temperature	Monitors temperature for CPU, memory & system environment	
	Voltage	Monitors voltage for CPU, memory, chipset & power supply	
	LED	Over temperature warning indicator / Fan & PSU fail LED indicator	
	Others	Watchdog timer support	
Audio	Chipset	Realtek ALC888S	
	Feature	2.1 ch	
Server Management	Onboard Chipset	Onboard Aspeed AST2600	
	AST2600 iKVM Feature	24-bit high quality video compression / Supports storage over IP and remote platform-flash / USB 2.0 virtual hub	
	AST2600 IPMI Feature	IPMI 2.0 compliant baseboard management controller (BMC) / 10/100/1000 Mb/s MAC interface	
BIOS	Brand / ROM size	AMI / 32MB	
	Feature	Hardware Monitor / Boot from USB device/PXE via LAN/Storage / User Configurable FAN PWM Duty Cycle / SMBIOS 3.3/PnP/Wake on LAN / ACPI sleeping states S0, S5	
Physical Dimension	Form Factor	SSI CEB compatible	
	Board Dimension	12" x 10.5" (305 x 267mm)	
Operating System	OS supported list	Please refer to our Intel OS supported list.	

Block Diagram



Regulation	FCC (SDoC)	Class B
	CE (DoC)	Class B
	RCM	Class B
Operating Environment	VCCI	Class B
	Operating Temp.	0° C ~ 40° C (32° F ~ 104° F)
	Non-operating Temp.	-40° C ~ 70° C (-40° F ~ 158° F)
	In/Non-operating Humidity	90%, non-condensing at 35° C
RoHS	RoHS 6/6 Compliant	Yes

(Specifications are subject to change without notice. Items pictured may only be representative.)

MiTAC Computing Technology Corp

USA
Tel: +1-510-651-8868
Fax: +1-510-651-7688

Taiwan
Tel: +886-3-327-5988
Fax: +886-3-327-6312

China
Shanghai Tel: +86-021-61431188 #1361
China Tel: +86-010-62381108 #2485

Japan
Tel: +81-3-3769-8311
Fax: +81-3-3769-8328

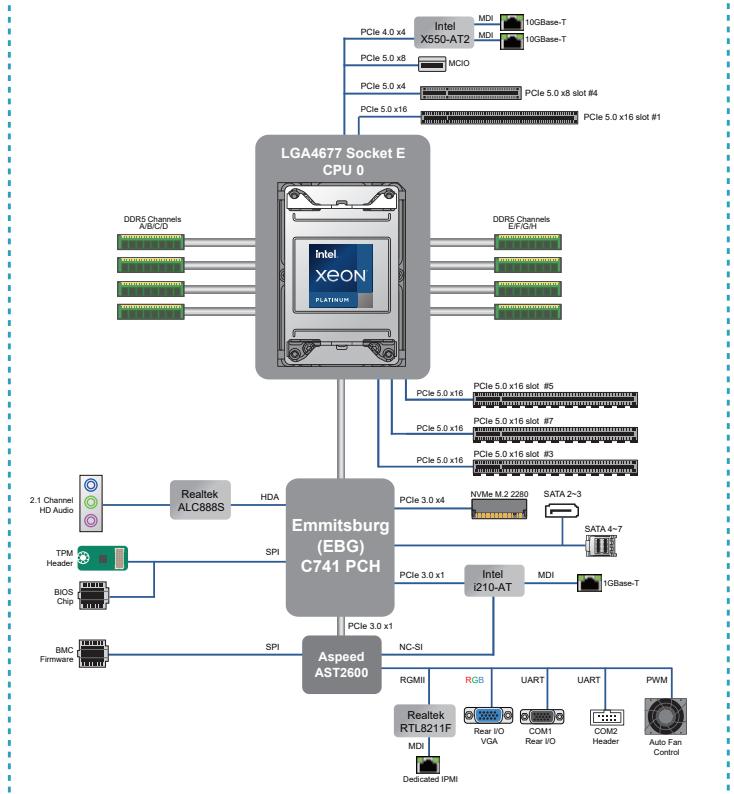
EMEA
Tel: +44 07540328523
Email: robin.daunter@tyan.com

Tempest HX S5652

S5652AGM3NRE-2T

Processor	Q'ty / Socket Type	(1) LGA4677	
	Supported CPU Series	4th Gen. Intel Xeon Scalable Processors	
	Thermal Design Power Wattage	Max up to 350W (TDP)	
Chipset	PCH	Intel C741	
Memory	Supported DIMM Q'ty	(8) DIMM slots	
	DIMM Type / Speed	RDDR5 4800 w/ ECC (1.1V) when 2DPC/1DPC / 3DS RDIMM DDR5 4800 w/ ECC (1.1V) when 2DPC/1DPC	
	Capacity	Up to 1,024GB RDIMM/ 2,048GB LRDIMM/ 2,048GB RDIMM 3DS/LRDIMM 3DS *Follow latest Intel DDR5 Memory POR	
	Memory channel	8 Channels per CPU	
	Memory voltage	1.1V	
Expansion Slots	PCI-E	(1) PCIe Gen.5 x8 slot / (4) PCIe Gen.5 x16 slots	
LAN	Port Q'ty	(1) GbE port + (1) GbE dedicated for IPMI	
	Controller	Intel I210	
Storage	SATA	PHY	Realtek RTL8211F
		Connector	(6) SATA
		Controller	Intel C741
	NVMe	Speed	6Gb/s
		RAID	RAID 0/1/10/5 (Intel RSTe)
		Connector (M.2)	(1) 2280 (by PCIe.3 interface)
	Connector (U.2)	(1) MCIO x8	
Graphic Display Port	Connector type	D-Sub 15-pin	
	Resolution	Up to 1920x1200 @60Hz	
	Chipset	Aspeed AST2600	
Input /Output	USB	(1) USB2.0 port (Type-A) / (2) USB2.0 ports (@ rear) / (2) USB3.2 Gen.1 ports	
	COM	(1) DB-9 COM Connector (@ rear)	
	VGA	(1) D-Sub 15-pin VGA port (@ rear)	
	RJ-45	(1) GbE port + (1) GbE dedicated for IPMI	
	Front Panel	(1) 2x12-pin SSI front panel header	
	Audio	(1) 2x5-pin header / (1) 3 holes Audio Jack connector	
	SATA	(6) SATA-III connectors	
	Power	(1) ATX 24-pin + (2) 8-pin + (1) 4-pin power connectors	
	Others	(1) UID button	
TPM (Optional)	TPM Support	Please refer to our TPM supported list.	
	Interface	SPI	
System Monitoring	Chipset	Aspeed AST2600	
	Fan	Total (6) 4-pin headers	
	Temperature	Monitors temperature for CPU, memory & system environment	
	Voltage	Monitors voltage for CPU, memory, chipset & power supply	
	LED	Over temperature warning indicator / Fan & PSU fail LED indicator	
	Others	Watchdog timer support	
Audio	Chipset	Realtek ALC888S	
	Feature	2.1 ch	
Server Management	Onboard Chipset	Onboard Aspeed AST2600	
	AST2600 iKVM Feature	24-bit high quality video compression / Supports storage over IP and remote platform-flash / USB 2.0 virtual hub	
	AST2600 IPMI Feature	IPMI 2.0 compliant baseboard management controller (BMC) / 10/100/1000 Mb/s MAC interface	
	Brand / ROM size	AMI / 32MB	
BIOS	Feature	Hardware Monitor / Boot from USB device/PXE via LAN/Storage / User Configurable FAN PWM Duty Cycle / SMBIOS 3.3/PnP/Wake on LAN / ACPI sleeping states S0, S5	
	Form Factor	SSI CEB compatible	
Physical Dimension	Board Dimension	12" x 10.5" (305 x 267mm)	
	OS supported list	Please refer to our Intel OS supported list.	

Block Diagram



Regulation	FCC (SDoC)	Class B
	CE (DoC)	Class B
	RCM	Class B
	VCCI	Class B
Operating Environment	Operating Temp.	0° C ~ 40° C (32° F ~ 104° F)
	Non-operating Temp.	- 40° C ~ 70° C (-40° F ~ 158° F)
	In/Non-operating Humidity	90%, non-condensing at 35° C
RoHS	RoHS 6/6 Compliant	Yes

(Specifications are subject to change without notice. Items pictured may only be representative.)

MiTAC Computing Technology Corp

USA
Tel: +1-510-651-8868
Fax: +1-510-651-7688

Taiwan
Tel: +886-3-327-5988
Fax: +886-3-327-6312

China
Shanghai Tel: +86-021-61431188 #1361
China Tel: +86-010-62381108 #2485

Japan
Tel: +81-3-3769-8311
Fax: +81-3-3769-8328

EMEA
Tel: +44 07540328523
Email: robin.daunter@tyan.com