

# Tyan Tomcat CX S8016 AMD Ryzen 7000 Server Motherboard

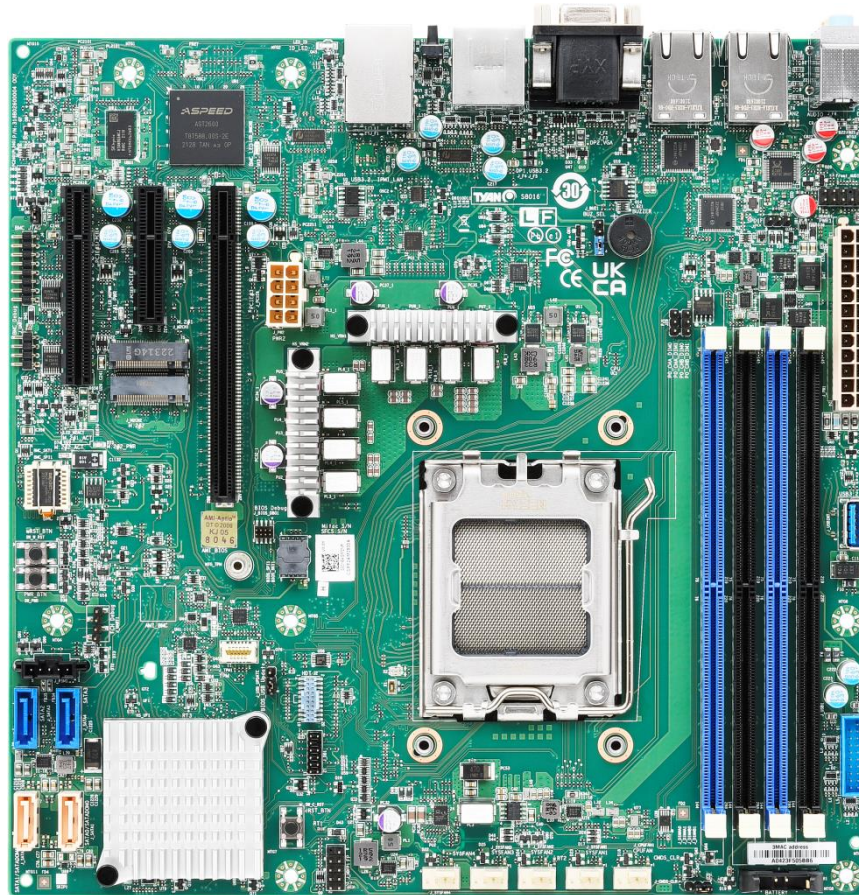
July 2<sup>nd</sup> 2023

[philip.maher@tyan.com](mailto:philip.maher@tyan.com)

Tyan Product Marketing

## “Raphael” Ryzen 7000 / DDR5-5200 / PCIe 5.0 / NVMe M.2 / TPM / AST2600 BMC

Standard SKUs	Onboard LAN
S8016AGM2NR	(2) 1000Base-T Ethernet Ports

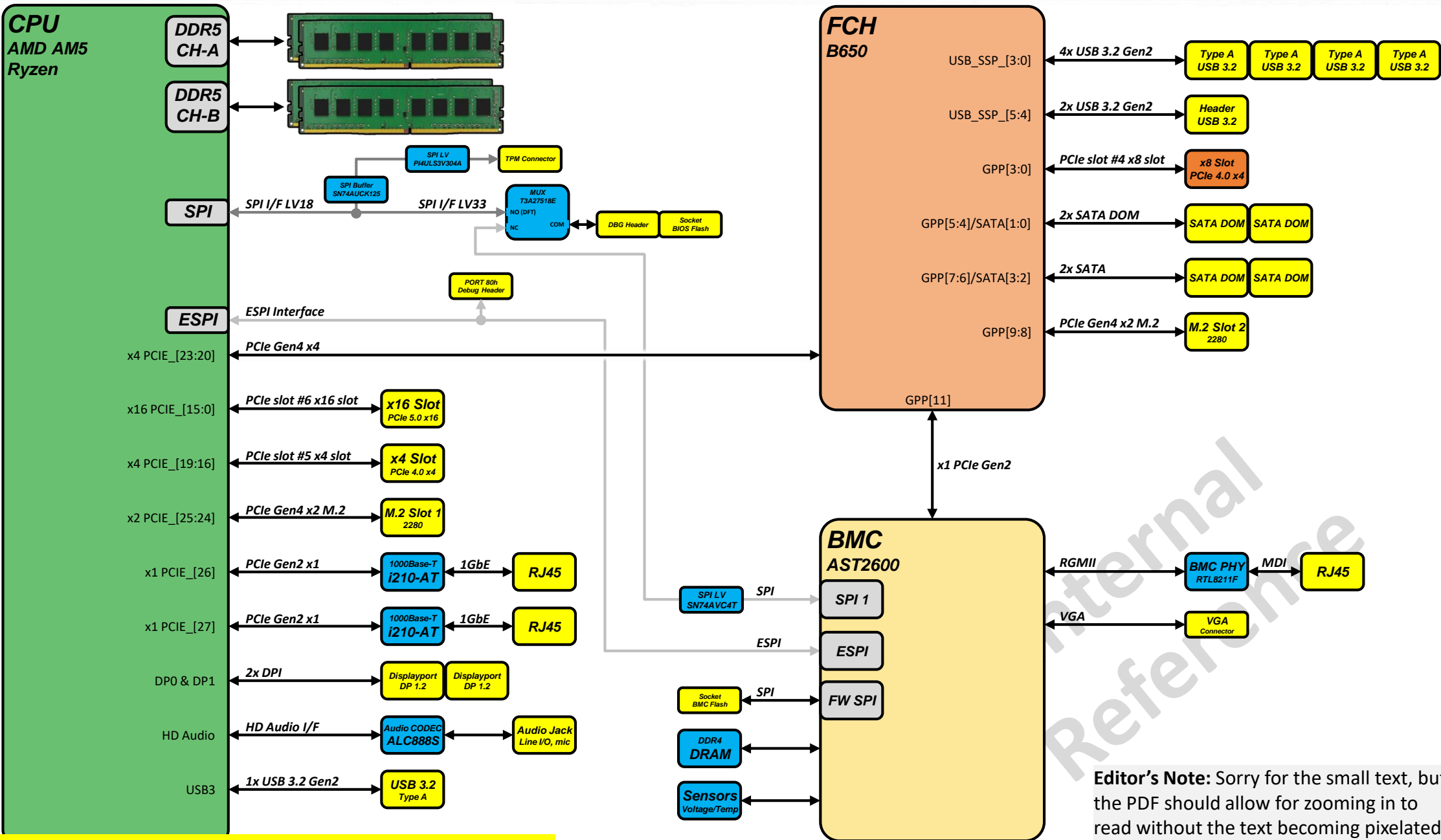


- **AMD Socket AM5 Ryzen server motherboard in a 9.6" x 9.6" Micro-ATX form factor with an Aspeed AST2600 BMC and support for IPMI and the DMTF Redfish API**
- **AMD AM5 Ryzen CPU with TDP up to 170W**
- **Chipset**
  - AMD B650
- **Memory**
  - (4) DDR5-5200 DIMM slots (2 memory channels)
  - Supporting up to 128GB Unbuffered ECC DDR5-5200 Memory
- **PCI Expansion Slots**
  - (1) PCIe Gen 5.0 x16 slot (from CPU)
  - (1) PCIe Gen 4.0 x4 slot (from CPU)
  - (1) PCIe Gen 4.0 x4 slot (from B650 Chipset)
- **Network**
  - (2) 1000Base-T Ethernet Ports (Intel i210-AT)
  - (1) 1000Base-T Dedicated IPMI Port
- **Storage**
  - (4) SATA 6G ports
  - (2) 2280 PCIe 4.0 x2 NVMe M.2 Ports (vertical stack)
- **Other**
  - (4) rear USB3.2, (1) internal USB 3.2, TPM Module header
  - (2) COM ports via internal headers
- **DisplayPort Graphics from CPU socket iGPU**
- **AST2600 BMC /w IPMI, iKVM, and Redfish Support**

Internal Reference

Product is still in development – spec is subject to change without warning!

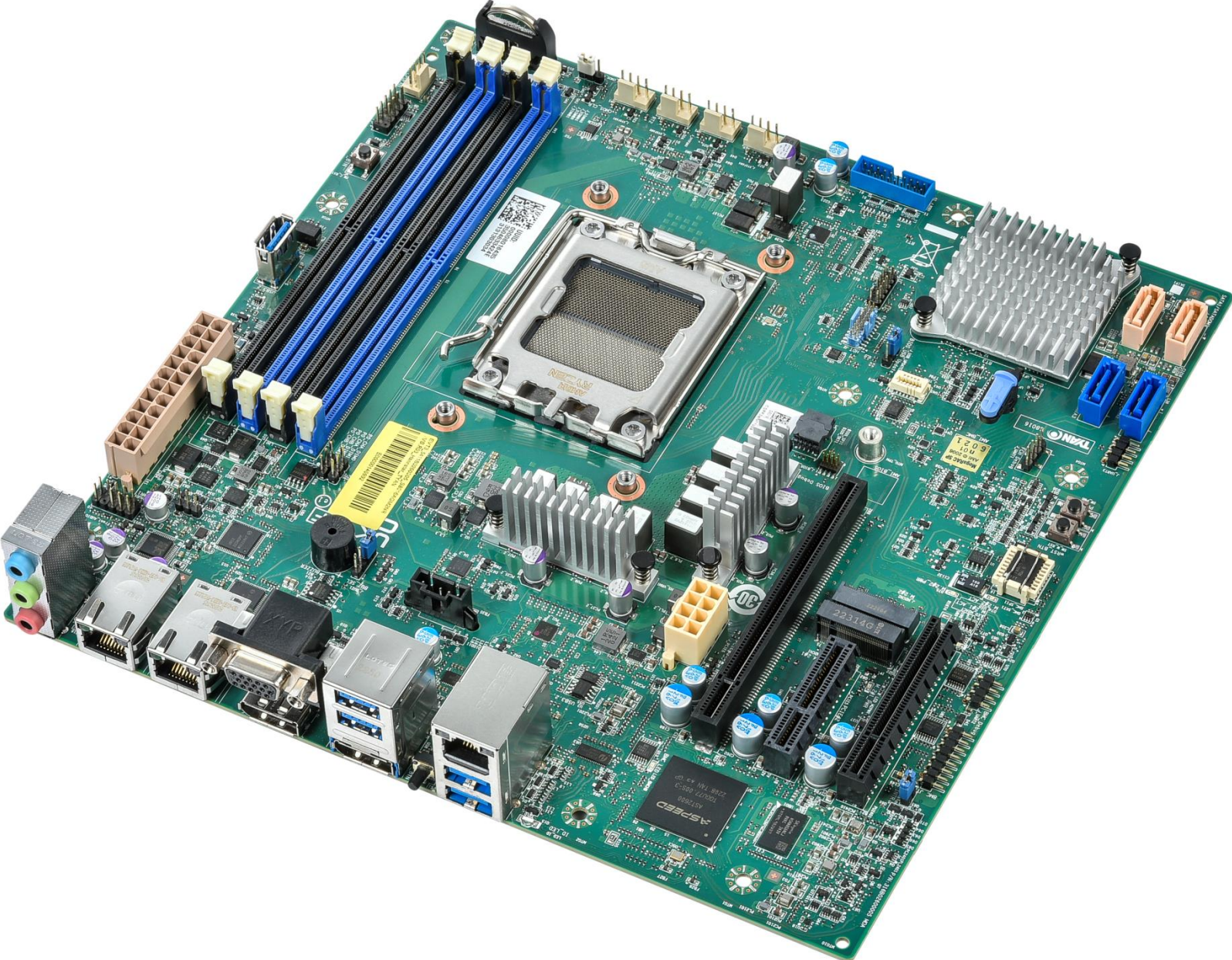
# S8016 Motherboard Block Diagram



**Editor's Note:** Sorry for the small text, but the PDF should allow for zooming in to read without the text becoming pixelated.

Product is still in development – spec is subject to change without warning!

# S8016 Motherboard Photo



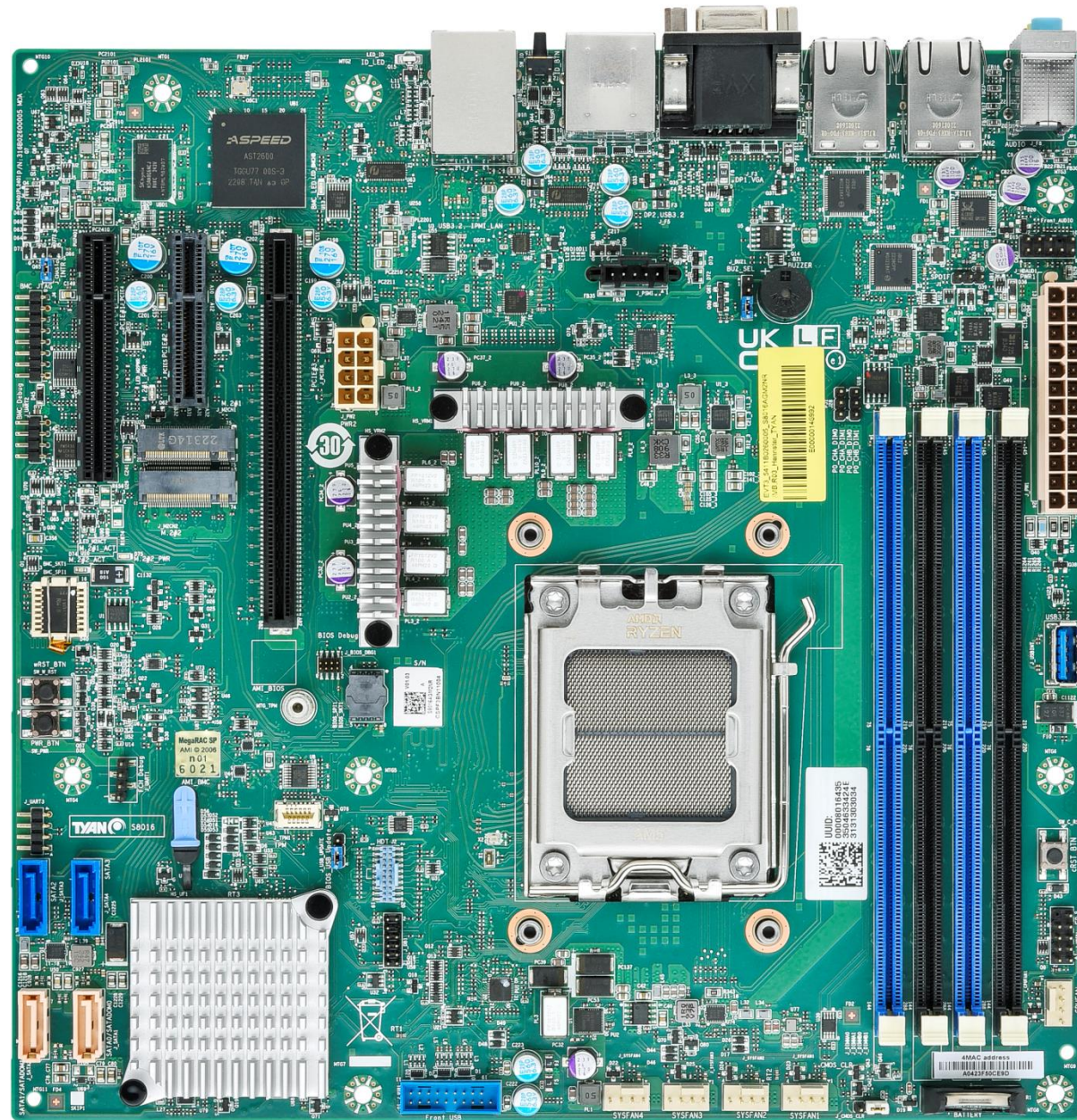
ence

*Product is still in development – spec is subject to change without warning!*

MITAC Computing Technology Corporation  
Server Infrastructure Business Unit



# S8016 Motherboard Photo

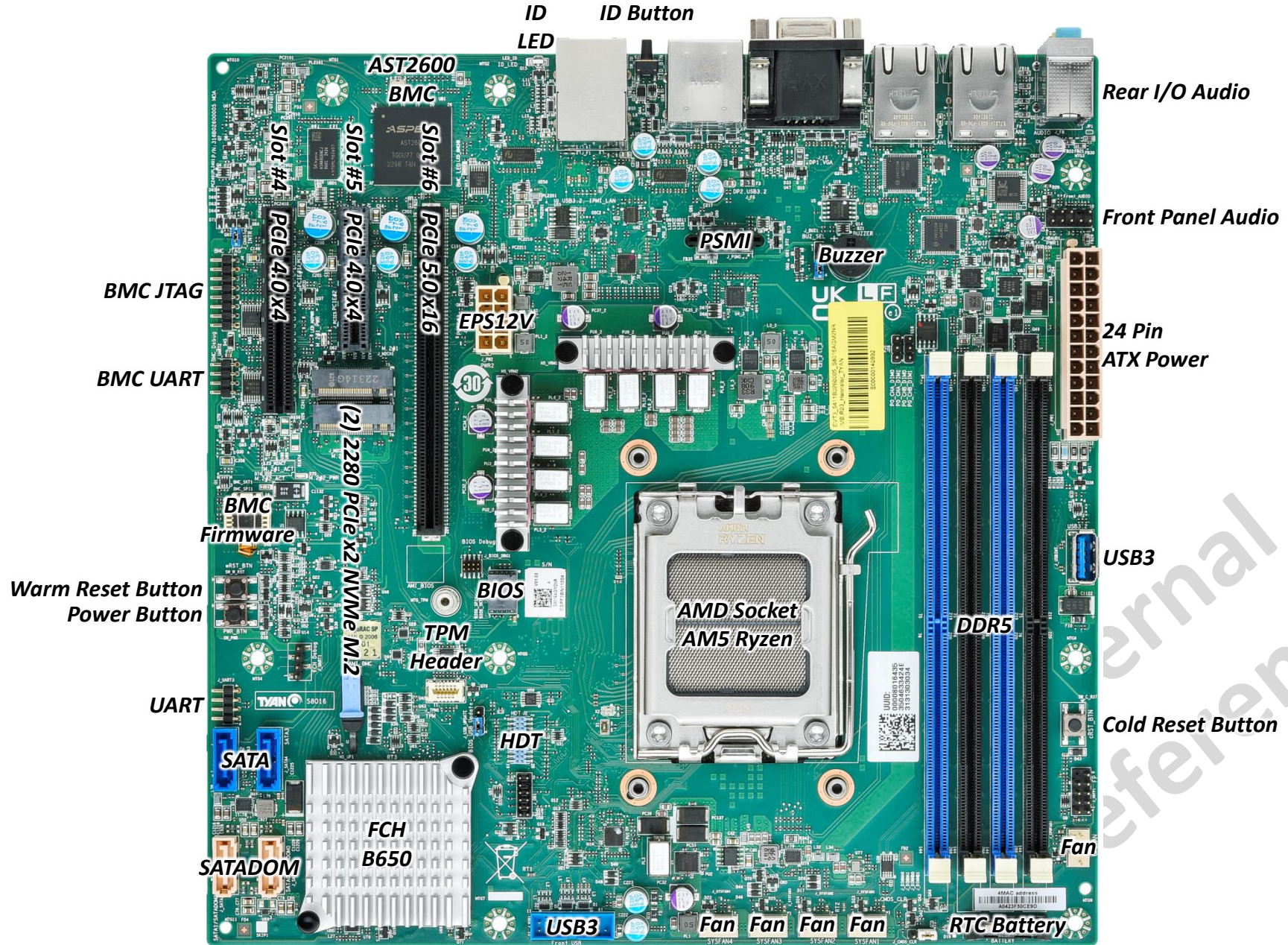


Confidential Reference

Product is still in development – spec is subject to change without warning!

MITAC Computing Technology Corporation  
Server Infrastructure Business Unit

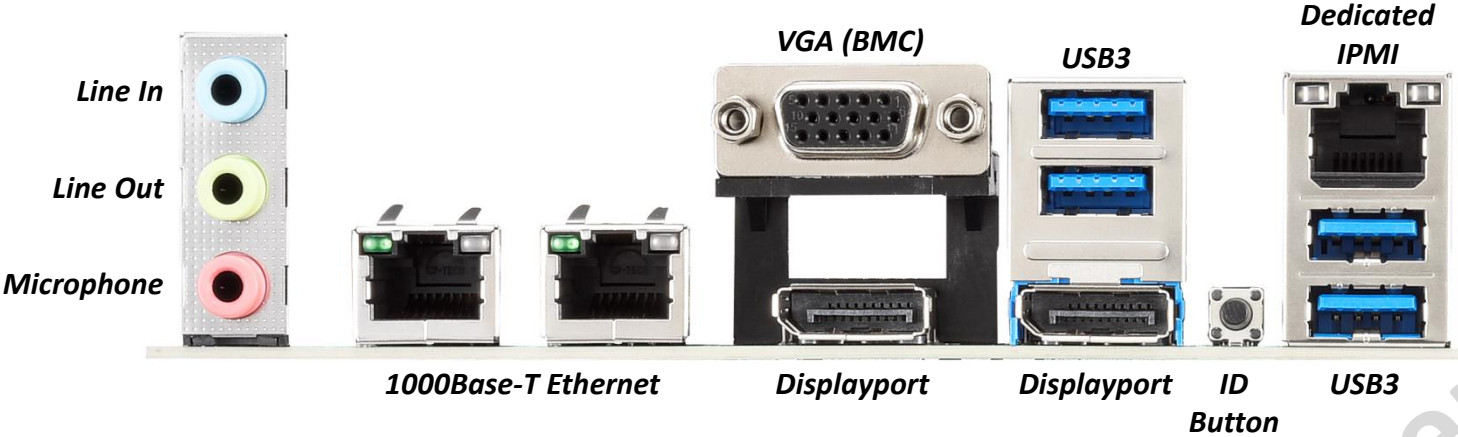
# S8016 Motherboard Details



Reference

Product is still in development – spec is subject to change without warning!

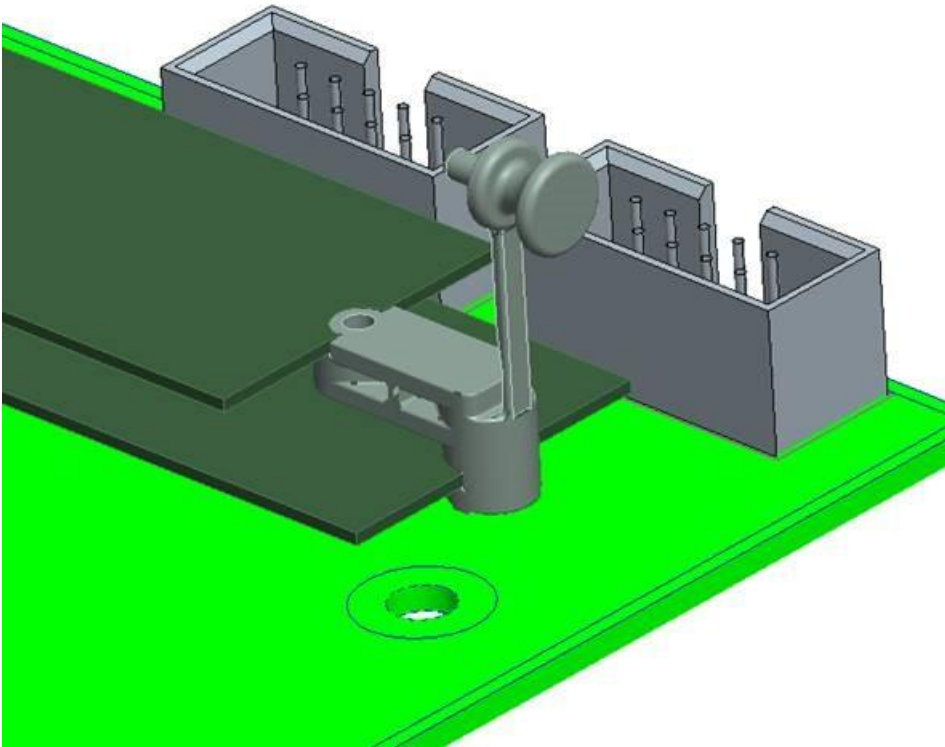
# S8016 I/O Port Details



Internal Reference

Product is still in development – spec is subject to change without warning!

# Stacked M.2 Feature



The s8016 motherboard features two M.2 ports. This utilizes a stacked M.2 design with staggered connectors and a special staggered M.2 clip to hold both modules in place.



(board pictured is a Tyan s5560)

Product is still in development – spec is subject to change without warning!





**THANK YOU**